

WAGNER



STEAMFORCE PRO
USER GUIDE
ORIGINAL-BETRIEBSANLEITUNG



Fig. 1

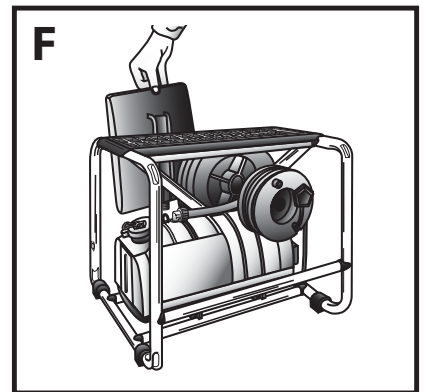
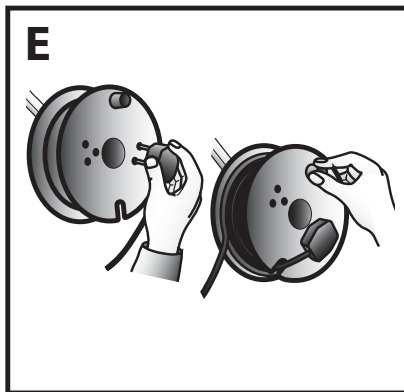
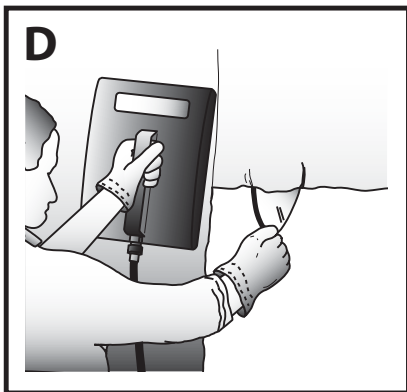
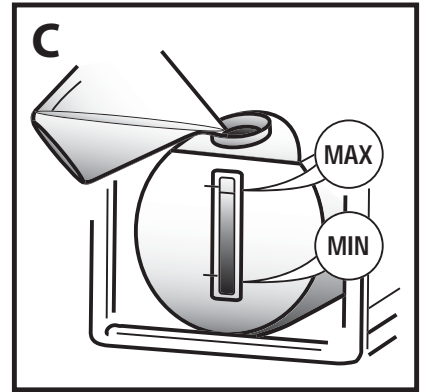
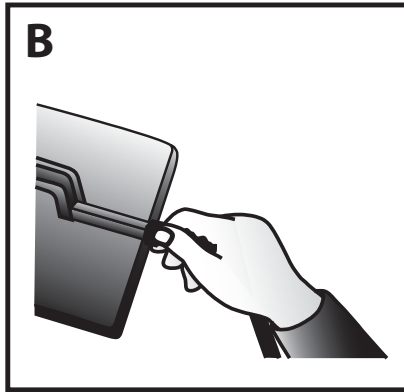
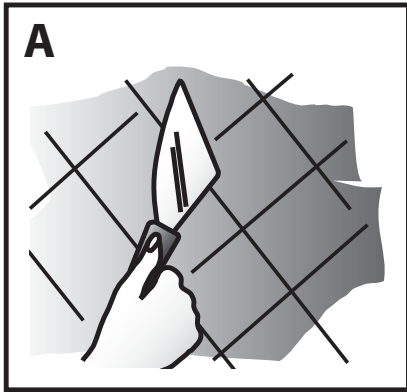
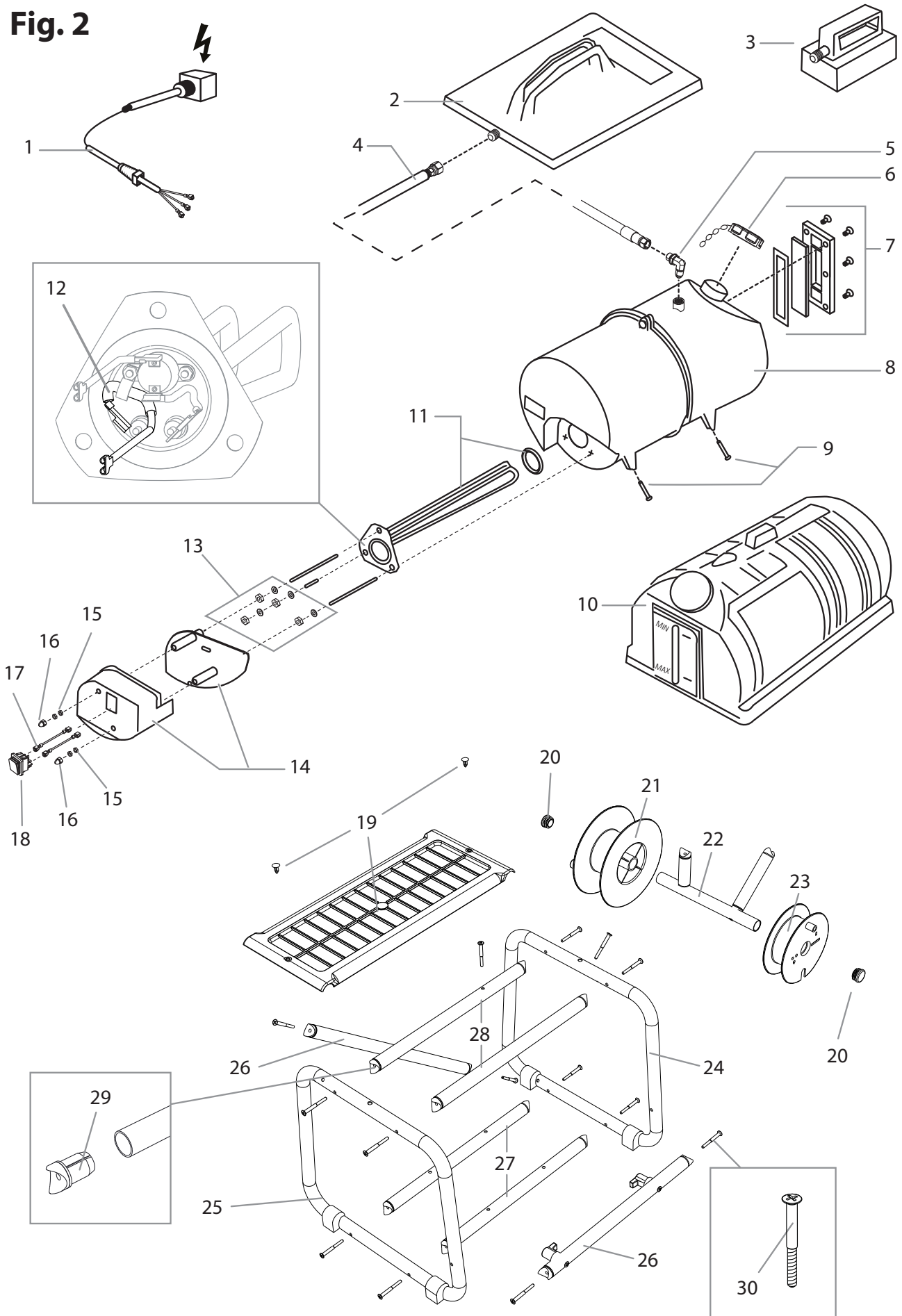


Fig. 2



Spare Parts (Fig. 2)

Drawing No.	Part No.	Description
1	2354056	5m Mains Cable 13A Plug (PS0029)
	2354103	5m Mains Cable EUR
	2382920	Mains Cable AUS/NZ
	2382922	Mains Cable CH
2	2354041	Steamplate Assy Swivel (PS0242)
3	2353950	Small Steam Plate (ST7/b)
4	2370324	Hose Assembly Professional - Polyhose
5	2354058	Elbow (Tank to Hose) (PS0042)
6	2354038	Radiator Cap Plastic Screw (PS0303)
7	2354070	Sight Glass Kit (PS0193)
8	2354073	Tank (PSACC02)
9	2354068	Screw M6 PK 4 (Tank to Frame) (PS0036)
10	2354071	Tank Moulding Cover Black (PS0124)
11	2382315	Element Assy AUS CH 2400W 240V (PS0088)
	2354045	Element Assy EU & UK 2750W (PS0404)
12	2354105	Thermal Fuse (PS0402)
13	2354064	Hexagon Lock Nut M6 x 3mm (PS0127)
14	2382383	Cover and Shield
15	2354061	Hexagon Nut M6 x 1.0 (PS0022)
16	2354042	Protective Cap M6 Pk 4 (PS0128)
17	2382385	Cable Assembly for Original Element
18	2354208	Switch Assy 230V (PS0302)
19	2354063	Stand/ Seat Cover (PS0007)
20	2354043	End Caps LMB Pk 2 (PS0332)
21	2354062	Hose Reel (PS0044)
22	2372745	Reel Tube Replacement Kit
23	2382328	Cable Reel (PS0045)
24	2374480	Frame Kit - End Frame RH inc. rubber feet
25	2374479	Frame Kit - End Frame LH inc. rubber feet
26	2374477	Frame Kit - S/plate & x-beam tubes
27	2374478	Frame Kit - Tank Mounting Tubes
28	2374476	Frame Kit - Seat Tubes
29	2354074	Tube Connector (PSACC03)
30	2354054	Securing Screw (PS0006)

MANY THANKS FOR PLACING YOUR TRUST IN US

We would like to congratulate you on purchasing this WAGNER product; we are sure that you will enjoy working with it greatly.

Please read the Operating Manual carefully and observe the safety information before starting the tool. Store the Operating Manual in a safe place close to the product in case it needs to be used by someone else.

We would be happy to be of assistance if you have any questions, suggestions or requests. Please contact us via the phone number included on the back page or via our homepage, www.wagner-group.com.

Contents

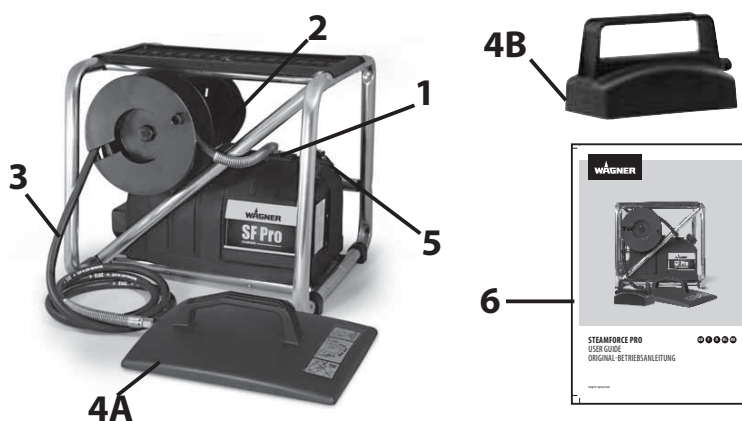
- 1. Explanation of symbols used5
- 2. Scope of delivery5
- 3. General Safety Instructions5
- 4. Safety Instructions for Steam Wallpaper Strippers6
- 5. Additional Safety Instructions for model SteamForce Pro7
- 6. Intended use7
- 7. Protect your home8
- 8. Extension Leads EU/UK8
- 9. Main Features8
- 10. Preparation8
- 11. Operation9
- 12. Refilling 10
- 13. Storage 10
- Storage Spools..... 10
- Storage Steamplate 10
- 14. Descaling 11
- 15. Important Note regarding Product Liability! 11
- 16. Correction of Malfunctions..... 12
- 17. Technical Data..... 12
- 18. Accessories..... 12
- 19. Environmental protection..... 13

1. Explanation of symbols used

	<p>This symbol indicates a potential danger to you or for the tool. Under this symbol you can find important information on how to avoid injuries and damage to the power tool.</p>
	<p>Beware of steam.</p>
	<p>Indicates tips for use and other particularly useful information.</p>

2. Scope of delivery

- 1 Main unit
- 2 Supply cord
- 3 Steam hose 5m (plastic)
- 4 Steamplates (A) large/(B) small
- 5 Pressure-relief cap
- 6 Operating manual



3. General Safety Instructions

CAUTION! *Read all the instructions. Non-observance of the instructions below can cause electric shock, fire and/or serious personal injuries.*



- a) **Keep your workplace clean and well lit.** *Disorderly or unlit workplaces may result in accidents.*
- b) **Never use the tool in hazardous areas that contain flammable liquids, gases or dusts.** *Power tools generate sparks that can ignite dust or vapours.*
- c) **Keep children other persons and animals away when using the power tool.** *You can lose control of the tool if you are distracted.*
- d) **The tool plug must fit into the socket-outlet. The plug may not be modified in any form. Do not use adaptor plugs together with**

protective-earthed tools. *Unmodified plugs and suitable sockets reduce the risk of an electric shock.*

e) Avoid physical contact with earthed surfaces such as pipes, heating elements, stoves and refrigerators. *The risk through electric shock increases if your body is earthed.*

f) Never use outside when raining.

g) This appliance can be used by persons aged from 14 years and above and persons with reduced physical, sensory or mental capabilities or lack of experience and knowledge if they have been given supervision or instruction concerning use of the appliance in a safe way and understand the hazards involved.

h) If the supply cord is damaged, it must be replaced by the manufacturer or its service agents to avoid a safety hazard.

4. Safety Instructions for Steam Wallpaper Strippers

ATTENTION! When working with hot steam (min. 100°C), there is a risk of serious scalding.



Hot steam and boiling water can emit when the safety valve is activated due to overpressure in incorrect operation of the unit.



Only move with the carrying frame. The steam unit, hose and steamplate can be very hot. Always wear suitable protective clothing / gloves.

Operate the unit only with pure water without agents or additives. Do not switch the unit on when empty.

Never point the steamplate / bar at people, animals, at objects sensitive to temperature or other electrical equipment. **Always ensure that the unit is standing securely in a horizontal position (on the floor).**

Do not stand on or place objects on the steam hose. Never over-twist or make kinks in the steam hose and never block the valve. Never pull on the steam hose or supply cord. Every time the accessory is changed for filling / refilling and emptying or when the steam unit is not in use (including work pauses), pull the mains plug out of the socket-outlet. Never overfill the unit. Unplug the unit in the event of overfilling or a fault. Use only **WAGNER original spare parts and accessories!**

Caution! Danger of short-circuits! Cover socket-outlets and switches and do not subject them to steam. Be careful of overhead dripping, when using on overhead areas tilt the steamplate away from the face and body and regularly empty the steamplate of any collected condensation. **Do not** allow water or steam to enter light switches or socket-outlets. Always visually check that the hose and steamplate inlet are not blocked before attempting to use. **Do not** strain, kink or trap the hose under heavy objects. Use only 4 psi

(0.3 bar) pressure cap as supplied. It is also a safety valve. **NEVER block off this outlet. NEVER remove the pressure cap when unit is boiling** - switch off and wait for 5 minutes. **Do not use any caustic cleaners on the tank. Do not** allow to boil dry. **Do not** overfill the reservoir. **Never** detach the hose whilst the unit is switched on.

The appliance **shall not** be unattended while it is connected to the supply mains. The appliance is not to be used if it has been dropped, if there are visible signs of damage or if it is leaking. Keep the appliance out of reach of children when it is energised or cooling down. Under no circumstances should you attempt to repair a unit unless qualified and authorised to do so.

5. Additional Safety Instructions for model SteamForce Pro

When standing on the stripper always remain within the confines of the step/platform and do not over-reach.



Maximum weight for standing on the unit is 127 kg (20 stone) and no more than 1 person at a time.

Do not permit oil, grease or slippery material to accumulate on the step/platform.

Do not allow objects to accumulate on the step/platform.

Do not use a ladder or other device on the step to get greater heights.

Do not apply impact loads on the step/platform.

6. Intended use

Do not use this Stripper for any purposes other than those detailed in these instructions.

To ensure long life of the steam wallpaper stripper, clean your unit immediately and thoroughly after each use.



Caution! - Check the state of your plaster before starting work.

Steam can loosen weak, porous or poorly bonded plaster - which also loosens readily if cracked, holed or if steam plate is held in one position for too long after the paper is soaked.

Weak plaster can normally be detected by tapping a few areas of the wall. A hollow sound indicates that you should proceed only with extreme care - stopping immediately if you hear a cracking sound or plaster starts to break loose.

The steam stripper is safe for drywall/plaster board surfaces but whatever the material, it is always wise to check a small area before starting work.

7. Protect your home

To prevent marks from steam on carpets and soft furnishings it is recommended the unit be placed on a hard flat board. Ensure the unit will not slip or tilt. Dust sheets and newspapers are not suitable.



- Supply cord must be connected to a grounded (3 prong) mains socket-outlet.
- Arrange replacement of a worn or damaged supply cord.
NEVER repair a supply cord.
- Removal of grounding pin VOIDS guarantee.

8. Extension Leads EU/UK

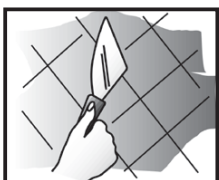
If you are using an extension lead it must be rated at a minimum of 15 Amps (EU) / 13 Amps (UK) - 230V unit and fully unwound. Do not operate with an extension lead rated less than 15 Amps / 13 Amps as this will cause premature failure of the element which is not covered by the guarantee.

9. Main Features

WAGNER Steamers are professional, fast-action steam wallpaper strippers. They have many added features:

- Each tank is individually pressure-tested.
- Storage for the hose and supply cord.
- Neon mains ON/OFF switch.
- Cooler running steam hose.

10. Preparation



To achieve fast paper removal always gently score the areas to be stripped. With heavily embossed, vinyl-coated or painted papers this is essential. Either use a proprietary perforator tool or alternatively score the paper with the edge of a wall scraper in a 'criss-cross' pattern with 150mm (6 inch) spacing (Fig. 1, A).

As with all decorating work be sure to protect carpets and furniture with covers.

11. Operation

- Place the unit on a flat surface near the area to be stripped and remove the steemplate.
- **Fully uncoil** the hose and supply cord.
- Connect the thread on the steemplate to the end of the hose. This only needs to be hand tight. **Do not overtighten** (Fig. 1, B).
- If the steemplate is fitted with a metal swivel joint, tighten hose nut to thread using two spanners. The steemplate can remain permanently attached to the hose thereafter.
- To fill the unit, remove the pressure cap and fill to the MAX water level. This must be clean water, preferably hot.

Do not use additives - do not overfill. (Fig. 1, C)

- Replace the pressure cap, connect the supply cord from the unit to the socket-outlet and switch on.
- The mains switch on the unit has a neon light and will light when the unit is on.



Beware of Steam! The WAGNER SteamForce Pro is designed for safe, fast removal of wallpaper but you must be aware that steam is produced at 100°C so be careful, wear protective clothing and protect your hands with heat-resistant gloves or mitts.

- It will take between 10 and 20 minutes for the 230V unit to start producing steam depending on the temperature of the water used. **DO NOT leave unattended.**
- Once steam is being produced at the steemplate you are ready to commence operation. Prior to the steam being produced a small amount of bubbling will occur at the steemplate.



Caution! Beware of hot water discharge prior to steam emission.

- When the steam has been produced, lift the steemplate above the level of the tank outlet to allow condensed steam to run back down the hose and into the tank.



If you are right-handed hold the steemplate in your left hand and place flat against the wall where you wish to commence removal. If you are left handed you may find it easier to operate with the other hand.

- Leave the steemplate against the wall for approximately 10 seconds.
- Move the steemplate to the section immediately next to where you have just been working and use a wallpaper scraper to remove the section that has just been steamed (Fig. 1, D).
- You may need to leave the steemplate against the wall for longer periods with some papers or re-steam if not completely removed.

12. Refilling



The 230V unit will operate for approximately 80-100 minutes before requiring refilling. The water level is shown through the glass level indicator by a floating red bead and should not be allowed to fall below MIN level (Fig. 1, C).

- Switch the unit off when this level has been reached. If you require further use of the steamer, ensure unit is switched off and has stopped boiling.
- Wait for 5 minutes.



Beware of Steam! The Steam is very hot - wear gloves and keep face clear.

- Slowly unscrew the cap, any remaining trapped steam will be released from beneath the cap.
- Refill to the MAX water level as before (Fig. 1, C) and follow above instructions.



You must never allow the unit to boil dry. There is a safety thermal cut-out device fitted to the unit. If the unit is allowed to boil dry this will operate and prevent further use.

- Switch the unit off and allow it to cool for at least 5 minutes, refill with water and then switch on again - the thermal cut-out should automatically reset.
- If this has not reset allow a further cooling period.

13. Storage

- When you have finished using the unit allow any remaining water to cool and then empty the unit. We recommend flushing the tank out with clean water before storing. **Never leave water in the unit whilst being stored.**

Storage Spools

- The supply cord and hose must be fully unwound before commencing to operate the unit.
- To recoil the supply cord, fit the plug into the socket-outlet on the side of the spool and then wind the supply cord onto the spool.
- To recoil the hose, place the steamplate end of the hose into the side aperture of the spool and then wind the hose onto the spool (Fig. 1, E).

Storage Steamplate

- The handle of the steamplate is shaped to locate between the frame and the tank.
- Slide the steamplate into position with the handle against the tank and the thread towards the base (Fig. 1, F).

Model	Boiler Capacity	Steam Time
SteamForce Pro 230V	7.5L	80 -100 Minutes*

*Approx. steam time before the safety cut-out operates.

14. Descaling



Regular descaling is key to your steamer functioning properly. Depending on water hardness, descale the steam wallpaper stripper after 10 – 15 fills. Units which are defective due to a lack of descaling are excluded from the guarantee!

- Use a standard proprietary descaling agent. Observe the manufacturer's instructions for use!
- Mix the descaling agent with water (ratio 1:1).
- Fill the steam wallpaper stripper with around 3.5 litres of descaling solution.
- Switch the steam wallpaper stripper on for 10 minutes.
- Switch the steam wallpaper stripper off again and unplug.
- Leave the descaling solution to work for 30 minutes.
- Then fully empty the steam wallpaper stripper.
- Thoroughly rinse the unit two to three times with clear water to remove all descaling solution residue.

15. Important Note regarding Product Liability!

In accordance with an EC directive, the manufacturer is liable for this product only if all parts originate from or were approved by the manufacturer and the tools are assembled and operated correctly. The use of other accessories and spare parts can partially or completely invalidate the liability.

16. Correction of Malfunctions

Malfunction	Cause	Remedy
Unit fails to boil	<ul style="list-style-type: none"> • The thermal cut-out has operated • Usage of an extension lead 	Switch off, allow to cool, refill with water then switch on again Check that the thermal reset button has not tripped out. Check that the extension lead is rated at minimum of 15 Amps (EU)/ 13 Amps (UK) - 230V unit only and fully unwound.
Unit keeps cutting out	<ul style="list-style-type: none"> • Water is below MIN level • Usage of an extension lead • Additives have been used 	Refill water See above Refresh water
Steam escaping from pressure cap	<ul style="list-style-type: none"> • Blockage in hose or steamplate • Build up around cap area 	Remove blockage Clean seating around cap area



If the unit still will not operate return the unit to the dealer or authorised agent for investigation.

17. Technical Data

Power source:	220-240 V ~ 50Hz	Power consumption:	2750W
Steaming time:	80-100 Minutes	Hose length:	5 m
Boiler capacity:	7.5L	Unit weight:	9.4kg
Max persons:	1	Max standing weight:	127kg

18. Accessories

Further information about the WAGNER range of products for decorative preparation is available on www.wagner-group.com.

19. Environmental protection



The tool and all accessories and packaging have to be recycled in an environmentally friendly manner. Do not dispose of the tool with household waste. Support environmental protection by taking the tool to a local collection point or obtain information from a specialist retailer. Leftover paint and solvents shall not be emptied into drains, the sewage system or disposed of as household rubbish. It has to be disposed of separately as special waste. Please pay special attention to the instructions on the product packaging.

WARNING (UK ONLY)

Mains Connection 230V

The stripper is supplied fitted with a 13 Amp plug top and fuse. If a replacement fuse is required this must be rated 13A and BS 1362 approved. If in doubt consult a qualified electrician.

WARNING! This appliance must be earthed. For your total protection it is recommended that a residual current device (RCD) rated at 30mA should be used in conjunction with the stripper; load rating MIN 15 Amps, MAX 20 Amps.

If any electrical component is damaged or faulty, it must be replaced by the manufacturer or its appointed service agents in order to avoid a safety hazard.

- As the colours of the wires in the supply cord of this appliance may not correspond with the coloured markings identifying the terminals in your plug, proceed as follows:
- The wire which is coloured green and yellow must be connected to the terminal in the plug which is marked with the letter E or by the earth symbol, or coloured green.
- The wire which is coloured blue must be connected to the terminal which is marked with the letter N or coloured black.
- The wire which is coloured brown must be connected to the terminal which is marked with the letter L or coloured red.

1 year guarantee

The guarantee runs for one year, counting from the date of sale (sales slip). It covers and is restricted to free-of-charge rectification of faults which are demonstrably attributable to the use of faulty materials in manufacture, or assembly errors; or free-of-charge replacement of the defective parts. The guarantee does not cover incorrect use or commissioning or fitting or repair work which is not stated in our operating instructions. Wearing parts are also excluded from the guarantee. We expressly reserve the right to fulfil the guarantee. The guarantee expires if the tool is opened up by persons other than manufacturer service personnel. Transport damage, maintenance work and loss and damage due to faulty maintenance work are not covered by the guarantee. Under any guarantee claim, there must be proof of purchase of the tool through submission of the original receipt. Wherever legally possible, we exclude all liability for injury, damage or consequential loss, especially if the tool has been used for a purpose other than that stated in the operating instructions, commissioned or repaired other than in accordance with our operating instructions or if repairs are performed by someone who is unqualified. We reserve the right to perform any repairs in excess of those stated in our operating instructions. In case of guarantee or repair, please refer to your point of sale. This guarantee does not affect your statutory rights.

EU Declaration of conformity

We declare under sole responsibility that this product conforms to the following relevant stipulations:

2014/35/EU, 2014/30/EU, 2011/65/EU, 2012/19/EU

Applied harmonised norms:

EN 60335-1, EN 60335-2-54, EN 55014-1, EN 55014-2, EN 61000-3-2, EN 61000-3-3,
EN 62233

The EU declaration of conformity is enclosed with the product.

If required, it can be re-ordered using order number **2400204**.

DE J. WAGNER GMBH
Otto-Lilienthal-Str. 18
D-88677 Markdorf
T +49 0180 - 55 92 46 37
F +49 075 44 - 5 05 11 69

FR WAGNER FRANCE S.A.R.L.
12 Avenue des Tropiques
Z.A. de Courtaboeuf
91978 Les Ulis Cedex
T +33 0825 011 111
F +33 (0) 1 69 81 72 57

DK ORKLA HOUSE CARE DANMARK A/S
Stationsvej 13
3550 Slangerup
Danmark
T +45 47 33 74 00
F +45 47 33 74 01

SE ORKLA HOUSE CARE AB
Box 133
564 23 Bankeryd
Sweden
T +46(0)36 37 63 00

ES MAKIMPORT
PT HERRAMIENTAS, S.L.
C/ Méjico nº 6
Pol. El Descubrimiento
28806 Alcalá de Henares (Madrid)
T 902 199 021 / 91 879 72 00
F 91 883 19 59

SK E-CORECO SK S.R.O.
Kráľovská ulica 8/7133
927 01 Šaľa
T +42 1948882850
F +42 1313700077

GB WAGNER SPRAYTECH (UK) LTD
Opus Park
Moorfield Road
Guildford, Surrey, GU1 1SZ
T +44 (0) 1483 454666
F +44 (0) 1483 454548

NO ORKLA HOUSE CARE NORGE AS
Nedre Skøyen vei 26,
PO Box 423, Skøyen
0213 Oslo
T +47 22 54 40 19

RO ROMIB S.R.L.
str. Poligonului nr. 5 - 7
100070 Ploiesti ,judet Prahova
T +40-344801240
F +40-344801239

AU WAGNER SPRAYTECH
AUSTRALIA PTY. LTD.,
14-16 Kevlar Close
Braeside, VIC 3195
T +61 3 95 87 - 20 00
F +61 3 95 80 - 91 20

CZ E-CORECO S.R.O.
Na Roudné 102
301 00 Plzeň
T +42 734 792 823
F +42 227 077 364

HU HONDIMPEX KFT.
Kossuth L. u. 48-50
8060 Mór
T +36 (-22) - 407 321
F +36 (-22) - 407 852

PL PUT WAGNER SERVICE
ul. E. Imieli 27
41-605 Swietochlowice
T + 48/32/346 37 00
F + 48/32/346 37 13

CH J. WAGNER AG
Industriestraße 22
9450 Altstätten
T +41 71 - 7 57 22 11
F +41 71 - 7 57 23 23

I FHC SRL
Via Stazione 94,
26013 Crema (CR)
T 0373 204839
F 0373 204845

www.wagner-group.com

Irrtümer und Änderungen vorbehalten.

Not responsible for errors and changes.

Sous réserves d'erreurs et de modifications.

Fouten en wijzigingen voorbehouden.

Con riserva di errori e modifiche.

Errores y modificaciones reservados.

Salvo erros e alterações.

Vi tager forbehold for eventuelle fejl og ændringer.

Vi påtar oss inget ansvar för eventuella felaktigheter och förbehåller oss rätten att utföra ändringar.

Material No. 2359766 A
08/2018

© Copyright by J.Wagner GmbH